

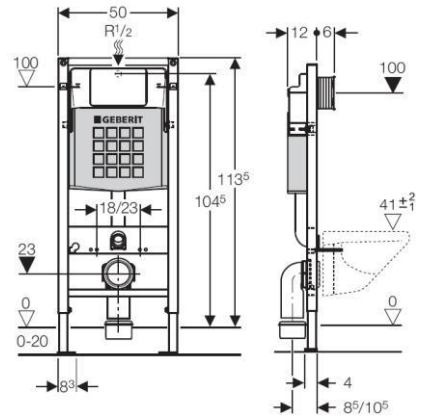
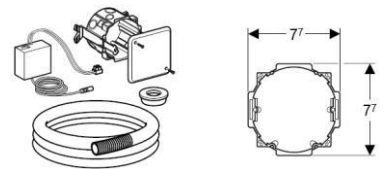
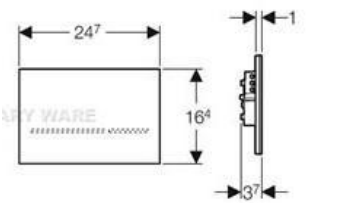


PROJECT		REF		REV	ITEM CODE	
LOCATION		DATE			PAGE	

SANITARY WARE SPECIFICATION SHEET

Item Descriptions	Geberit (PRC) "UP300" Front operated, dual flush, PVC bend concealed cistern with WSD angle stop new version and "Sigma80" touchless automatic WC flushing WC61, 85-240V AC and Control box for automatic WC flush control; 3.2/5.9 LPF in WELS Grade 2 ; Registration No. WC 21-0106
Model	116.090.SG.6 (Actuator) 115.861.00.6 (Control box) 224.214.00.1 (Cistern)
Colour	Black
Material	Reflective Glass
Manufacturer	Geberit (PRC)
Supplier	Acme Sanitary Ware Co. Ltd Mr. Eric Wong/ Mr. Don Yuen
Contact Tel/Fax	(852) 2388-7171 / (852) 2710-8012
E-mail	acme@acmesanitary.com.hk
Website	www.acmesanitary.com.hk

Illustration/ Drawing



<p>Application purposes</p> <ul style="list-style-type: none"> For private and semipublic areas For releasing a dual flush For solid and drywall construction For touchless flush actuation of Geberit Sigma concealed cisterns 12 cm Not suitable for use with Geberit inserts for in-cistern block Suitable for barrier-free construction <p>Characteristics</p> <ul style="list-style-type: none"> Touchless manual flush actuation Automatic flush actuation can be activated Flush actuation possible via external push-button Actuator plate without mechanical buttons Actuator buttons identifiable by light bars Button illumination activated when approached Button illumination can be set in five colours Orientation light can be activated Power supply via external power supply unit Transformation of mains voltage to extra-low voltage, 12 V DC Operation with extra-low voltage, no mains voltage in cistern With push-fit connection with cross-polarity protection Infrared user detection with background fade-out Self-adjusting IR sensor Reliable IR distance detection 	<ul style="list-style-type: none"> User detection range can be set Adjustable interval flush Preflush can be set Minimum detection time can be set Device settings and operation with mobile device via integrated Bluetooth interface Compatible with Geberit Control App Wired networkable with Geberit gateway via GEBUS converter Wirelessly connectable with Geberit Gateway via Bluetooth Compatible with Geberit Connect Compatible with Geberit Service Handy Flush actuation can be deactivated Low-noise lifting mechanism Electrical lifting device, self-calibrating Lockable Easy maintenance and cleaning <p>Scope of delivery</p> <ul style="list-style-type: none"> Sigma80 actuator plate Mounting frame Support block with servomotor and lifting device, premounted <p>To order additionally</p> <ul style="list-style-type: none"> Geberit Power & Connect box Geberit Power supply unit for Power & Connect box
---	--



* All information of the above is for the reference only. No prior notice is made if any changes.



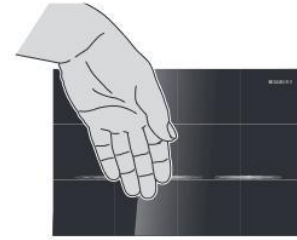
Technical data

Nominal voltage	85–240 V AC
Mains frequency	50–60 Hz
Operating voltage	12 V DC
Maximum power consumption	4 W
Power consumption in standby mode	0.15 W
Protection degree	IP45
Detection time, factory setting	7 s
Detection time, adjustment range	1–60 s
Interval flush time, factory setting	5 s
Interval flush time, adjustment range	1–200 s
Interval flush, factory setting	Off
Interval flush, adjustment range	1–168 h
Wireless technology	Bluetooth® Low Energy ¹⁾
Frequency range	2400–2483.5 MHz
Maximum output power	4 dBm

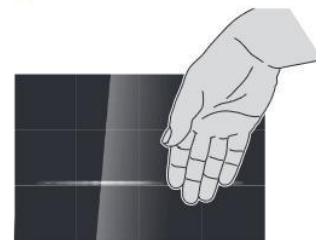
Troubleshooting

Malfunction	Cause	Rectification
Incorrect flushes (too soon, too late, unwanted)	Actuator plate dirty or wet	▶ Clean or dry the actuator plate.
	Scratched actuator plate	▶ Contact a skilled person.
Water is running continuously into the ceramic pan.	Software fault	▶ Interrupt the power supply (mains fuse) for 10 minutes.
	Technical fault	▶ Contact a skilled person.
The ceramic pan is not being flushed out properly.	Flush volumes set incorrectly	▶ Contact a skilled person.
	Ceramic pan is blocked with limescale	▶ Descale the ceramic pan.
A flush is triggered when you step back from the WC without manual actuation.	Automatic flush actuation activated	▶ Deactivate automatic flush actuation with the Geberit app.
Buttons are flashing red.	The WC flush control waits until all objects (tools, people, curtain, etc.) are outside of the user detection range (approx. 1 m in front of the actuator plate). The environment is then re-evaluated.	▶ Remove objects from the user detection range.
Button illumination switches on when approached, but flushing cannot be triggered.	Software fault	▶ Interrupt the power supply (mains fuse) for 10 minutes.
	Technical fault	▶ Contact a skilled person.
Button illumination does not switch on when approached, and flushing cannot be triggered.	Power failure	▶ Check the power supply (mains fuse).
	Technical fault	▶ Contact a skilled person.
Button illumination does not switch on when approached, but a flush can be triggered.	Button illumination deactivated	▶ Activate button illumination with the Geberit app.
Button illumination does not switch off after stepping away (after more than 15 minutes).	Button illumination always active	▶ Deactivate button illumination with the Geberit app.
	An object is within the user detection range (approx. 1 m in front of the actuator plate).	▶ Remove objects from the user detection range.
	A new object is within the proximity detection range (approx. 1.5 m around the actuator plate).	▶ Wait 15 minutes and the environment will be re-evaluated.

- 1** For a full flush, hold your hand in front of the long button on the left for approx. 0.5–1 second.



- 2** For a partial flush, hold your hand in front of the short button on the right for approx. 0.5–1 second.



註冊號碼 (Registration No.): WC 21-0106



自願參與用水效益標籤計劃 - 水廁
Voluntary Water Efficiency Labelling Scheme - Water Closets



茲證明
This is to certify that

將下列水廁在本計劃內註冊：
has registered the following water closet under this scheme:

牌子 / Brand	: Geberit
型號 / Model	: 224.214.00.1 + 887.839.00.0
種類 / Category	: Water Closet Cistern
原產地 / Country or Region Origin	: China (WC Cistern) Germany (Flushing Valve)

在用水效益標籤上展示的標誌 <i>Symbolic Presentation on the Water Efficiency Label</i>	: 滴水點 <i>Water droplet(s)</i>
用水效益級別 <i>Water Efficiency Grade</i>	: 2
全沖水量 <i>Water Flush Volume (Full)</i>	: 5.9 公升/沖廁 <i>litres/flush</i>
低沖水量 <i>Water Flush Volume (Reduced)</i>	: 3.2 公升/沖廁 <i>litres/flush</i>

簽發日期:
Date of Issue: 15 March 2021



水務署署長(張業駒代行)
for Director of Water Supplies

† 上述水廁具備外節水功能，即：重用洗面水作沖廁用途。
The above water closet is equipped with additional water saving feature, that is, re-use the water collected from wash basin for flushing purpose.



Acme Sanitary Ware Co. Ltd.

1/F, Acme Building, 22-28 Nanking Street, Kowloon, Hong Kong

Tel: 2388 7171 Fax: 2710 8012

Email: acme@acmesanitary.com.hk

Website: www.acmesanitary.com.hk

PROJECT		REF		REV	ITEM CODE	
LOCATION		DATE			PAGE	

SANITARY WARE SPECIFICATION SHEET

Item Descriptions		Illustration/ Drawing
Item Descriptions	Geberit (Germany) Adjustable plastic inlet valve	
Dimensions	Refer to drawing	
Model	170.417.00.1	
Material	Plastic	
Manufacturer	Geberit (Germany)	
Supplier	Acme Sanitary Ware Co. Ltd Mr. Eric Wong/ Mr. Don Yuen	
Contact Tel/Fax	(852) 2388-7171 / (852) 2710-8012	
E-mail	acme@acmesanitary.com.hk	
Website	www.acmesanitary.com.hk	

Note: The color of the above fittings may be varied without further notice.

* All information of the above is for the reference only. No prior notice is made if any changes.



水務署
Water Supplies Department

總部 Headquarters

香港灣仔告士打道七號入境事務大樓 48 樓

Immigration Tower, 7 Gloucester Road, Wan Chai, Hong Kong



本
Out
來函
Your re

3321/2020 T/J(256/2020)

電話

Tel.

傳真

Fax.

:

:

:

2824 0578

4 June 2020



**Approval of “GEBERIT” Float Operated Valve
(General Acceptance No. C20200402F)**

Your letters ref. GHK/GA/170.417.00.1 and GHK/GA/170.417.00.1-r1 dated 11 March 2020 and 8 May 2020 respectively refer.

Having considered the test report ref. RGSE005r1 issued on 29 April 2020 by Ideal Test Consultants Ltd., this Authority accepts that the fitting described below complies with, and its use when correctly installed does not contravene, the Waterworks Ordinance and Regulations.

Name of Manufacturer: Geberit

Country of Origin: the Mainland of China

Brand: Geberit

Details of Fitting: 1" Plastic float operated valve

Model: 170.417.00.1

Body Markings: ■ **GEBERIT**

Expiry Date: 4 March 2025



Proviso: As the fitting has not been tested for use in contact with water intended for human consumption, the fitting can only be used in flushing water plumbing system.

This Authority hereby permits the use of the above fitting in flushing water plumbing systems subject to full adherence to Waterworks installation requirements. In particular, you are required to draw your customers' attention to the following requirement-

"The flushing volume of the flushing valve should be adjusted to suit the design of the toilet bowl so that wastes can be cleared effectively by a single flush."

"The fitting should be used within the range of working pressures specified by the manufacturer." AND

"The installed fitting should not result in backflow of water that will contaminate the flushing water supply."

A condition of this acceptance is that the fitting to be installed shall be replicas of the sample as certified by the testing agent mentioned above and without modifications. This acceptance may be withdrawn at any time if the standard of the fitting installed fails to meet that of the approved sample or if the fitting is found to be unsuitable for use in flushing water plumbing systems.

For the use of the fitting in any project, the General Acceptance Number of this letter must be quoted as a means of identification of acceptance of the fitting by this Authority.

Should you have any enquiries, please contact our Engineer Mr. Terry KUNG at tel. no. 3583 4086.

Yours faithfully,



(CHAN Chung-kun)

for Director of Water Supplies

Encl.

c.c. WSD 3321/1/82] - without catalogue
 ME/MC] - with soft copy only




Acme Sanitary Ware Co. Ltd.

1/F, Acme Building, 22-28 Nanking Street, Kowloon, Hong Kong

Tel: 2388 7171 Fax: 2710 8012

Email: acme@acmesanitary.com.hk

Website: www.acmesanitary.com.hk

PROJECT		REF		REV	ITEM CODE	
LOCATION		DATE			PAGE	

SANITARY WARE SPECIFICATION SHEET

Item Descriptions	Geberit (PRC) Adjustable push flush valve	Illustration/ Drawing
Dimensions	Refer to drawing	
Model	887.839.00.0	
Material	Plastic	
Manufacturer	Geberit (Germany)	
Supplier	Acme Sanitary Ware Co. Ltd Mr. Eric Wong/ Mr. Don Yuen	
Contact Tel/Fax	(852) 2388-7171 / (852) 2710-8012	
E-mail	acme@acmesanitary.com.hk	
Website	www.acmesanitary.com.hk	

Note:

* All information of the above is for the reference only. No prior notice is made if any changes.



水務署
Water Supplies Department

總部 Headquarters
香港灣仔告士打道七號入境事務大樓 48 樓
Immigration Tower, 7 Gloucester Road, Wan Chai, Hong Kong



SD 3321/2020 T/J(1388/2020)

電話 :
Tel. :
傳真 : 2824 0578
Fax. :

29 December 2020



Approval of "GEBERIT" Flush Valve (General Acceptance No. C20201184F)

Your letter ref. GHK/GA/887.839.00.0 dated 27 October 2020 and subsequent submission received by this department on 4 December 2020 refer.

Having considered the test report ref. RGSE024 issued on 20 October 2020 by Ideal Test Consultants Ltd., this Authority accepts that the fitting described below complies with, and its use when correctly installed does not contravene, the Waterworks Ordinance and Regulations.

Name of Manufacturer: Geberit
Country of Origin: Germany
Brand: Geberit
Details of Fittings: 2" Plastic dual flush valve
Model: 887.839.00.0
Body Markings: ■ **GEBERIT**
Expiry Date: 23 August 2025



Proviso: As the fitting has not been tested for use in contact with water intended for human consumption, the fitting can only be used in flushing water plumbing system.

This Authority hereby permits the use of the above fitting in flushing water plumbing systems subject to full adherence to Waterworks installation requirements. In particular, you are required to draw your customers' attention to the following requirement-

"The flushing volume of the flushing valve should be adjusted to suit the design of the toilet bowl so that wastes can be cleared effectively by a single flush."

"The fitting should be used within the range of working pressures specified by the manufacturer." AND

"The installed fitting should not result in backflow of water that will contaminate the flushing water supply."

A condition of this acceptance is that the fitting to be installed shall be replicas of the sample as certified by the testing agent mentioned above and without modifications. This acceptance may be withdrawn at any time if the standard of the fitting installed fails to meet that of the approved sample or if the fitting is found to be unsuitable for use in flushing water plumbing systems.

For the use of the fitting in any project, the General Acceptance Number of this letter must be quoted as a means of identification of acceptance of the fitting by this Authority.

Should you have any enquiries, please contact our Engineer Mr. Terry KUNG at tel. no. 3583 4086.

Yours faithfully,



(CHAN Chung-kun)

for Director of Water Supplies

Encl.

c.c. WSD 3321/1/82] - without catalogue
ME/MC] - with soft copy only